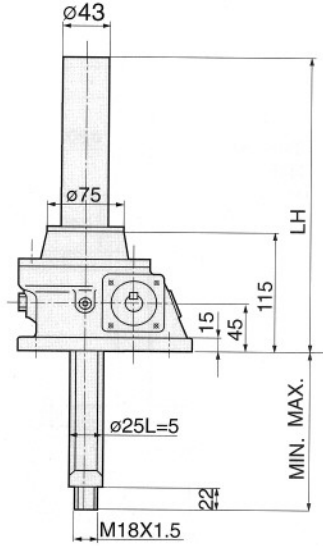
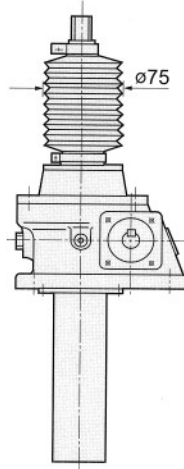
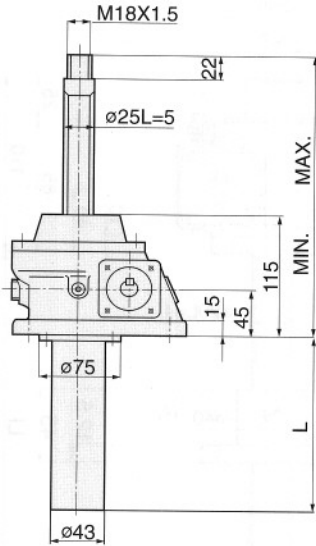


SJ 44 • Traveling Shaft Type (축승강형)

상방향형 Upright Traveling

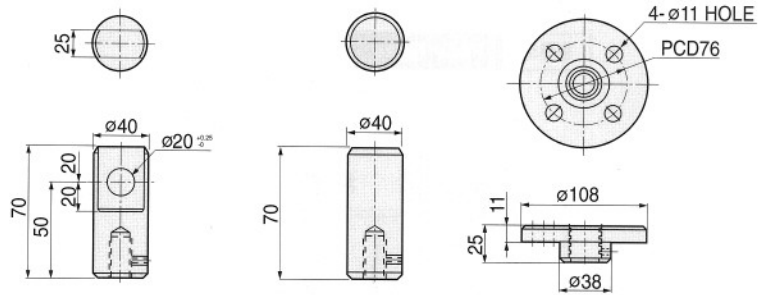
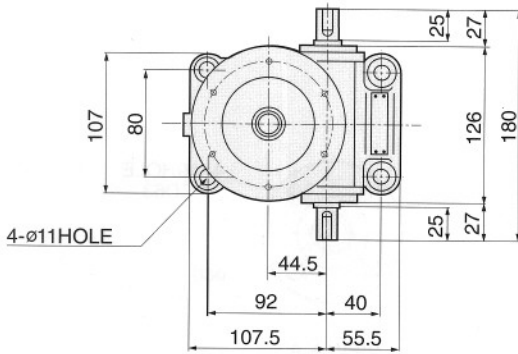
보호카바 Dustproof Bellow

하방향형 Inverted Traveling



평면도 Plane Figure

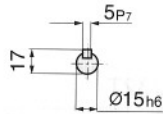
Dimension of Screw Nut



크레비스 너트 Clevis Nut

플레인 너트 Plain Nut

플랜지 너트 Flange Nut



SJ44 Screw Jack

행 STROKE 장	U 상방향형 (Upright Type)										I 하방향형 (Inverted Type)													
	N 회전방지키없음 (Prevent key Not Included)					k 회전방지키있음 (Prevent key Provided)					N 회전방지키없음 (Prevent key Not Included)					k 회전방지키있음 (Prevent key Provided)								
	N 축보호카바없음 N: No Dustproof Cover		B 축보호카바부착 B: Dustproof Cover			L	N 축보호카바없음 N: No Dustproof Cover		B 축보호카바부착 B: Dustproof Cover			L	N 축보호카바없음 N: No Dustproof Cover		B 축보호카바부착 B: Dustproof Cover			LH	N 축보호카바없음 N: No Dustproof Cover		B 축보호카바부착 B: Dustproof Cover			LH
	MIN	MAX	MIN	MAX	MIN		MAX	MIN	MAX	MIN	MAX		MIN	MAX	MIN	MAX	MIN		MAX	MIN	MAX			
100	155	255	195	295	155	155	255	195	295	155	40	140	80	180	270	40	140	80	180	270				
200	155	355	195	395	255	155	355	195	395	255	40	240	80	280	370	40	240	80	280	370				
300	155	455	230	530	355	155	455	230	530	355	40	340	115	415	470	40	340	115	415	470				
400	155	555	230	630	455	155	555	230	630	455	40	440	115	515	570	40	440	115	515	570				
500	155	655	230	730	555	155	655	230	730	555	40	540	115	615	670	40	540	115	615	670				
600	155	755	270	870	655	155	755	270	870	655	40	640	155	755	770	40	640	155	755	770				
800	155	955	270	1070	855	155	955	270	1070	855	40	840	155	955	970	40	840	155	955	970				